



MODULAR VOLUME CHAMBER, FILTER & SEQUENCE VALVE

R-801



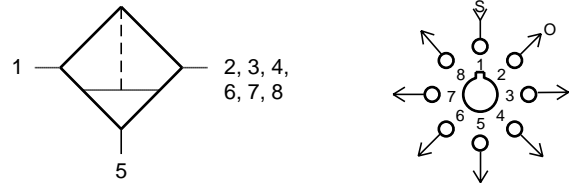
Filter

Features:

- Multiple porting speeds piping
- Clean out port for easy maintenance
- Protects system - assures proper functioning
- Replaceable filter element (Part no. R-801-14)

Performance:

Flow (scfm @ 100 psig).....12
 Pilot pressure (psig) minimum..... -
 Temperature.....32° to 180° F
 Working pressure.....0 to 150



Description:

R-801 is a 25 micron filter with multiple outlets at ports 2, 3, 4, 6, 7 and 8 to minimize need for fittings. Port 5 is a drain and should be plugged; however, when the valve is mounted vertically port 5 can be tubed to a drain. Unused ports should be plugged.

R-811

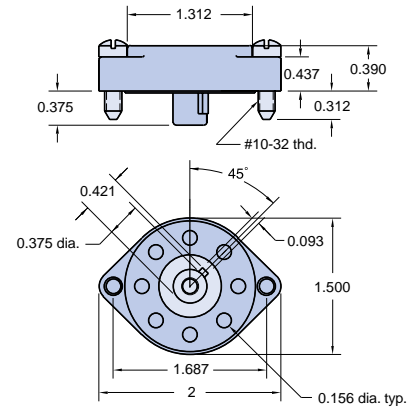


Connector

Connects to subplate R-101/R101-M5, R-111/R-111-M5 and manifolds

Description:

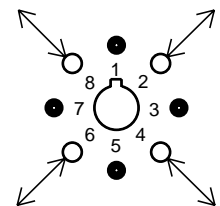
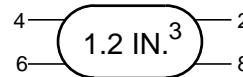
R-811 is an octoport connector that provides rapid and accurate connection of up to eight hoses. Truly a convenience connection; saves time; eliminates mistakes.



R-821



Volume Chamber



Description:

Volume chamber provided in standard, plug-in Clippard Minimatic® module body, using standardized octoport. May be used for providing time delay in pneumatic circuits. This model has 1.2 cubic inch volume chamber.

R-901



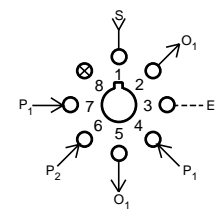
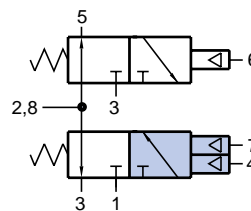
Sequence Valve

Features:

- Indicator shows valve position
- Micro gap construction - snap action and no blow by
- Balanced design allows speed control at exhausts

Performance:

Flow (SCFM @ 100 psig).....10
 Pilot pressure (psig) minimum.....40
 Temperature.....32° to 180° F
 Working pressure.....0 to 150



Description:

R-901 is a dual element combination consisting of a 3-way normally-closed, spring return air piloted valve and a 3-way normally-open, spring return, air piloted valve. One of the outputs of the N.C. valve is the input to the N.O. valve. A valve position indicator is provided for the N.C. valve. The R-901 is intended for use in sequential stepping control circuits.